



TEXAS EQUIPMENT

Tire Changer

United States

17779 Main Street Suite C
Irvine, CA 92614 USA
Tel: +1 (949) 333-3800
Fax: +1 (949) 333-3804

United Arab Emirates

P.O. Box 121971
Saif Zone A2-32
Sharjah, UAE
Tel: +971 (06) 552 98 60
Fax: +971 (06) 552 98 61

Egypt

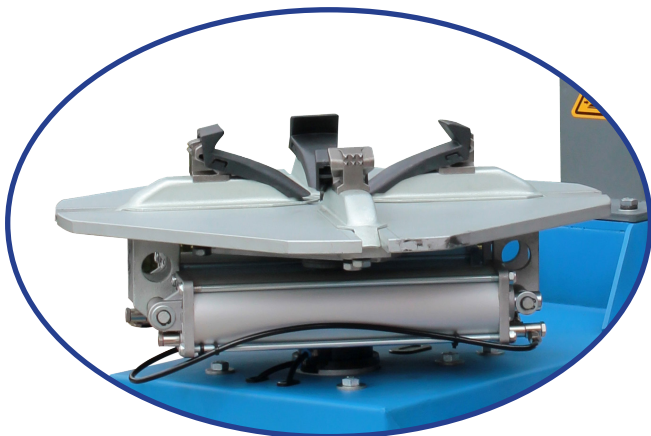
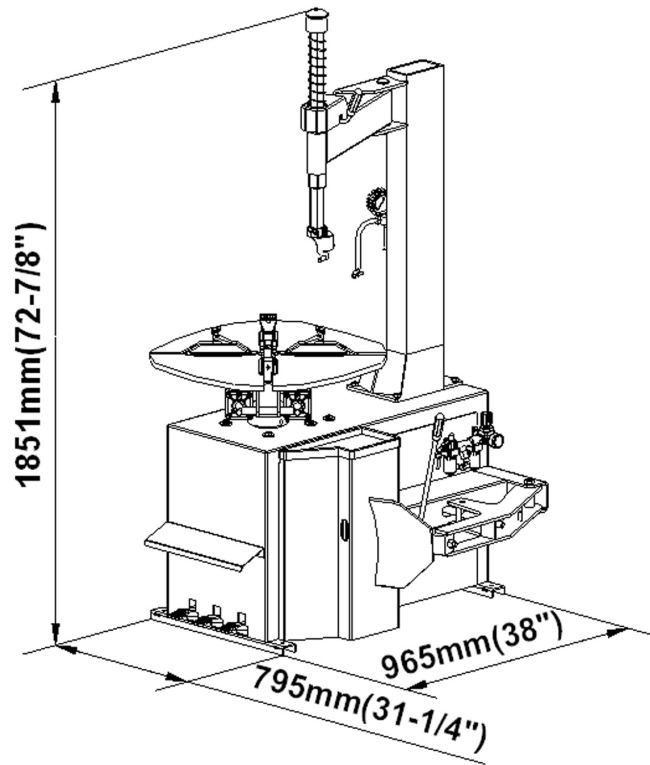
9A, Al-Mothalath
End of Mostafa El-Nahas Street
Nasr City, Cairo 11528 Egypt
Tel: +2019 550 0001
Fax: +2022 472 4346



**Model
TC37**

Specifications:

- Maximum Wheel Diameter 37¾" (960 mm)
- Rim Width 3 - 12" (76 - 305 mm)
- External Clamping 10 - 18" (254 - 457 mm)
- Internal Clamping 12 - 21" (305 - 533 mm)
- Rotation Speed 7 RPM
- Accuracy ± 1 g
- Overall Dimensions 38 (L) x 31¼ (W) x 72⅞" (H)
(965 x 795 x 1851 mm)
- Net Weight 419 lbs (190 kg)
- Shipping Weight 496 lbs (225 kg)
- Shipping Size 38⅝ x 30 x 37⅜"
(980 x 760 x 950 mm)



Features:

- Accommodates Car & Truck Tires
- No Adapters Necessary for Standard Tires
- Reversible Turnplate
- Optional Motorcycle Tire Adapter
- Steel & Aluminium Construction for Strength & Durability
- Over 5,500 lbs (2500 kg) of Bead Breaking Force