



TEXAS EQUIPMENT

2 Post Asymmetric Hydraulic Lift 10,000 lbs

United States

17779 Main Street Suite C
Irvine, CA 92614 USA
Tel: +1 (949) 333-3800
Fax: +1 (949) 333-3804

United Arab Emirates

P.O. Box 121971
Saif Zone A2-032
Sharjah, UAE
Tel: +971 (06) 552 98 60
Fax: +971 (06) 552 98 61

Egypt

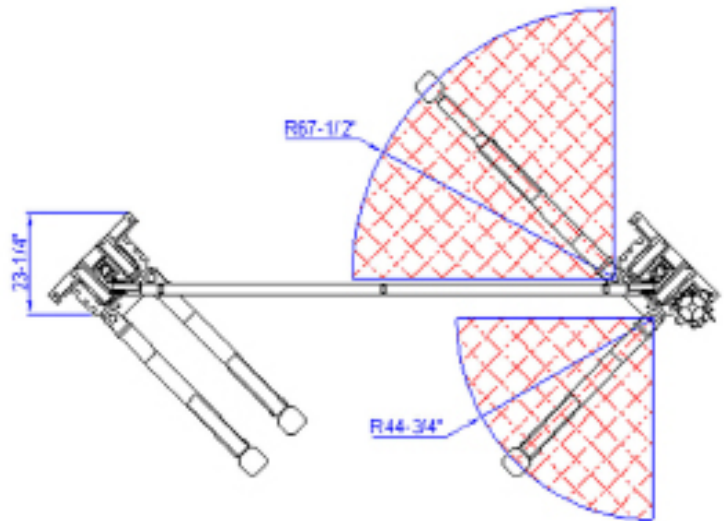
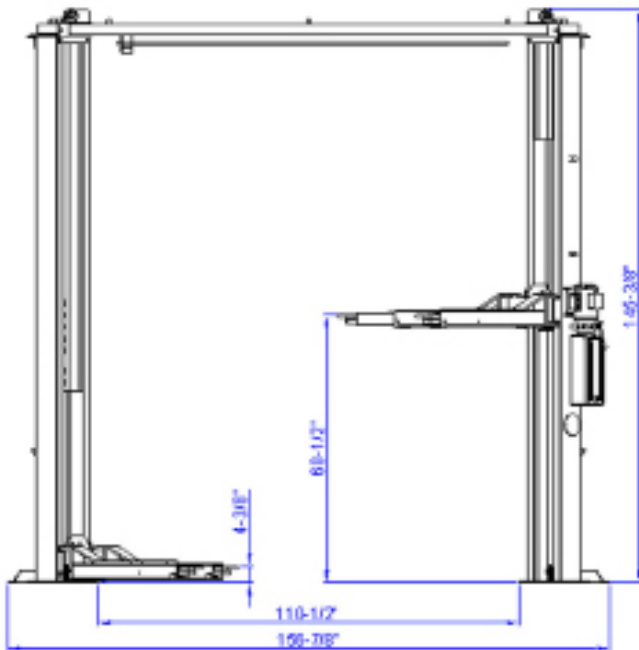
28 Abdel Azim El-Ghoilemi Street
Nasr City, Cairo - Egypt
Tel: +(202) 22747083
Fax: +(202) 22876559



**Model
26810A**

Specifications:

- Lifting Capacity 10,000 lbs (4,500 kg)
- Lifting Height $4\frac{3}{8}$ - $68\frac{1}{2}$ " (111 - 1740 mm)
- Overall Dimensions 129 (L) x $156\frac{7}{8}$ (W) x $145\frac{3}{8}$ " (H)
(3,277 x 3,985 x 3,693 mm)
- Front Arm Length 25 - $49\frac{5}{8}$ " (635 - 1260 mm)
- Rear Arm Length $33\frac{7}{8}$ - $72\frac{3}{8}$ " (860 - 1839 mm)
- Net Weight 1683 lbs (763 kg)
- Shipping Weight 1705 lbs (773 kg)
- Shipping Size $137\frac{3}{4}$ x $26\frac{3}{8}$ x $38\frac{5}{8}$ "
(3499 x 670 x 981 mm)



Features:

- US Made Electric / Hydraulic Power System
- Electromagnetic Single-point Lock Release
- Columns Rotated 35° for a True Asymmetric Design and Increased Drive-through Clearance
- Columns Constructed from Single-piece High-strength Steel
- Twin Full-stroke Direct-pull Cylinders
- Two Stage Telescopic Arms For Adjustable Reach
- Automatic Arm Restraints While Vehicle is Raised
- CE Certified Shut-off System
- Truck & Van Adapters Included