



TEXAS EQUIPMENT

6,600 lbs Single Post Lift INSTALLATION GUIDE

United States

17779 Main Street Suite C
Irvine, CA 92614 USA
Tel: +1(949) 333-3800
Fax: +1(949) 333-3804

Model

17706

United Arab Emirates

P.O. Box 121971 Saif Zone A2-032
Sharjah, UAE
Tel: +971 (06) 552 98 60
Fax: +971 (06) 552 98 61

Egypt

9A Al-Mothalath
End of Mostafa El-Nahas Street
Nasr City, Cairo 11528 Egypt
Tel: +2019 550 0001
Fax: +2022 472 4346



CONTENTS

1. Introduction

- Welcome
- How To Use This Guide
- How To Receive Additional Help
- Safety

2. Unloading & Unpacking

- Precautions
- Unloading Procedure
- Unpacking Procedure
- Packing List

3. Installation & Setup

- Site Selection
- Foundation Requirements
- Required Tools
- Installation Procedures

1. Introduction

1.1 Welcome

Congratulations on purchasing the 17706 Single Post Lift. In the pages that follow you will find information on how to unload, unpack, assemble, and test your new lift. Please take the necessary time to thoroughly read this manual to ensure that you know what is required for a safe and smooth installation.

1.2 How To Use This Guide

This Installation Guide provides detailed, step-by-step instructions to direct you through the entire installation process. Please read through the entire guide prior to beginning installation to guarantee you have the necessary time and resources to complete the entire installation.

This guide features detailed illustrations and documentation to help assure proper installation. If unclear about any step, please verify with Texas Equipment prior to advancing to the next step.

This guide is arranged in the order which you should perform each task starting with unloading and unpacking. Make sure you complete each step before advancing to the next. It is vital that you do not skip steps in order to guarantee safety. Make sure to complete all required steps including the final test and checklist.

1.3 How To Receive Additional Help

This guide is designed to provide complete, detailed instructions and information to assist in a safe and smooth installation. If you require supplemental information or instructions, or encounter any problems or issues during the installation process, please contact Texas Equipment directly at +1 (949) 333-3800.

1.4 Safety

It is required that all persons involved with any part of the installation wear heavy-duty work gloves and reliable eye protection. Because of the bulky and heavy parts involved in the installation and the necessary tools and equipment, it is mandatory that all persons involved be in healthy condition and not be under the influence of any medications, alcohol, or any other intoxicants. Failure to adhere to these conditions could result in serious injury.

2. Unloading & Unpacking

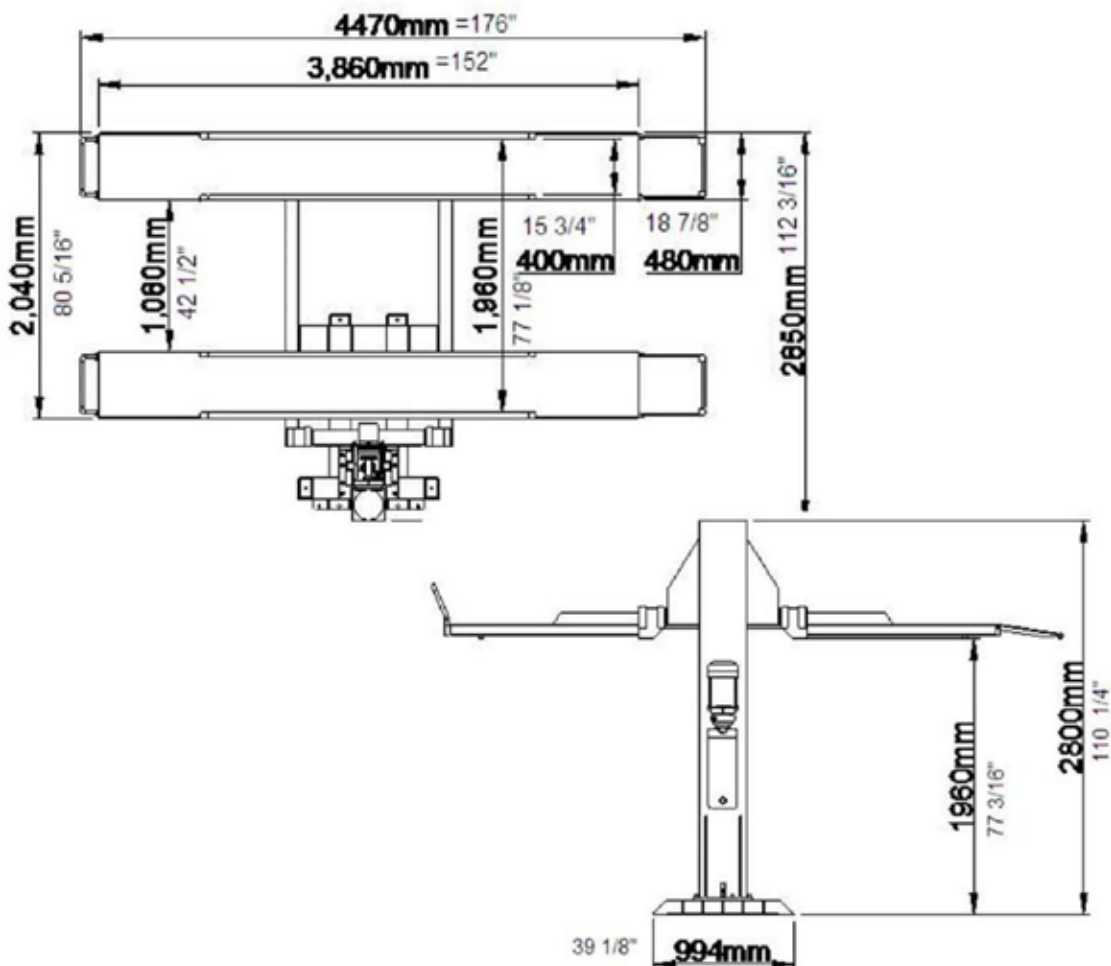
2.1 Precautions



Unloading, unpacking, and installation procedures can be extremely dangerous if not performed with the utmost attention. Clear the entire area of any bystanders to avoid possible injury. Ensure a clean and clear work environment to further reduce the possibility of injury. Verify the integrity and reliability of all equipment used throughout the entire process to prevent equipment failure.

2.2 Unloading Procedure

The components should be unloaded from the truck using a forklift to prevent injury and ensure that the equipment does not get damaged. Unload the lift as close to the installation site as possible. It is recommended that you use scrap wood to support and/or balance the pieces as they are being unloaded and unpacked.

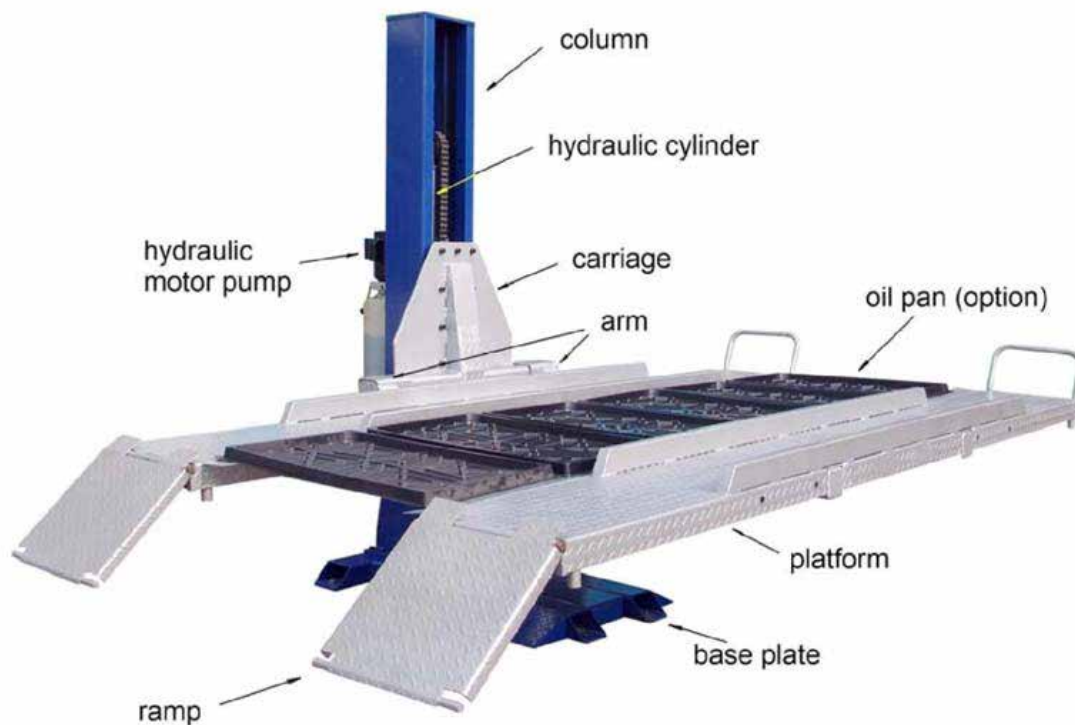


NOTE: *If there is no forklift available, the lift may be unpacked while still on the truck and each individual piece can be carried with an engine hoist to the installation site. An engine hoist is required to unload the lift using this process because the parts weigh between 100lbs-750lbs each. This method is not recommended due to a higher risk of injury and longer unloading and unpacking time.*

2.3 Unpacking Procedure

Unwrap each component and place them safely near the installation site. It is crucial that you do not overcrowd the area as this could delay the process and cause damage to sensitive components. It is recommended that you use scrap wood to support and/or balance the pieces as they are being unloaded and unpacked. **DO NOT** stand the columns vertically as this may result in severe damage or injury. **DO NOT** stack any heavy or sensitive components directly on-top one another as this could cause severe damage to the equipment. **DO NOT** discard any of the packaging hardware as they are necessary to complete installation.

2.4 Packing List



3. Installation & Setup

3.1 Site Selection

The 17706 One Post Lift is designed **FOR INDOOR USE ONLY**. It may not be installed in a room with explosion hazards. It is not designed for wet environments (such as a car wash). Failure to meet all of these condition could cause equipment failure and serious injury.

3.2 Foundation Requirements

The 17706 One Post Lift must be installed on level ground. The foundation must be reinforced concrete with a minimum thickness of 6" (150 mm) with a compressive strength of at least 4000 psi (275 bar).

3.3 Required Tools

- 1 set metric combo wrenches
- 1 set metric sockets
- 1 and 1/8" socket and extension
- 1/2 dr x 12mm allen socket
- Adjustable wrench
- Small crowbar or large screwdriver for aligning bolt holes
- Concrete hammer drill with a new 3/4" concrete bit
- Pliers
- Flat blade screwdriver
- Forklift
- Fence stretcher (for pulling ramps onto lift arms) - OPTIONAL
- Hydraulic floor jack on wheels (for positioning pieces) - OPTIONAL

3.4 Installation Procedures

NOTE: Make sure you read through the entire installation procedure prior to beginning the process. This will ensure that you fully understand what will be required and will prevent delays during installation. Whenever possible, use the original blueprints for reference. Make sure you satisfy all of the requirements specified in 3.1 and 3.2 prior to beginning installation.

STEP 1:

The lift comes packaged in the order that the pieces need to be installed. The first piece to be positioned is the base plate. Place it on the garage floor as close to its final position as possible. After the base plate is in place, you'll fix it on the ground by anchors.



STEP 2:

The next major piece is the lift column. It will have the carriage unit, the hydraulic piston and chain assembly, the hydraulic hose and safety latch cable already assembled in it. The hydraulic cylinder in the column will appear to be loose, and "wobble" around. This is normal. Pick the column up from a horizontal position, lift it vertically high enough to set it on the base plate until the mounting holes line up. Use the forklift or with an engine hoist. Wrap your lifting chain around the column between the four control unit bolts, and loop the other end of the chain (bolted together) over the forks of the forklift, or the lift hook of the engine hoist. If using the forklift, use a heavy "C" clamp on the fork after the chain is looped on, to keep the chain from sliding off the fork during the lift. It may be necessary to reposition the lift chain a few times till you find the optimum point that will allow the top to move high enough and the column to come into a nearly vertical position. Be careful if moving the column with an engine hoist, that sudden weight shifts do not cause the hoist to tip over.

Set the column on the base plate and maneuver it around to line up the mounting holes. The column is easier to maneuver when it is vertical on the base plate. If possible, do not remove the lift chain from the column until you have got the mounting bolts started into the base plate. After you've put the leg into position, you'll bolt it to the base plate with bolts. You'll need a wrench or a socket with a ratchet to tighten some of these bolts.



STEP 3:

Mount the motor pump on the back of column. Fix it using bolts. Connect the hose from the cylinder to the motor pump. The hose has slightly different fittings on each end, so make sure you match up the end of the hose with the cylinder. There is an O-ring on the end of the cylinder tube. Make sure these fittings are tight.



Fill the tank with hydraulic oil. Suggested oil is: AW 32/46 Non-detergent Non-Foaming Anti-Wear Hydraulic Oil SAE-10 (12 quarts)

STEP 4:

Attach the carriage board to the carriage with bolts.

**STEP 5:**

Attach the two lift arms to the carriage board.

**STEP 6:**

Fix the O-ring bracket on the back of the carriage board. Put the safety-release cable through it.

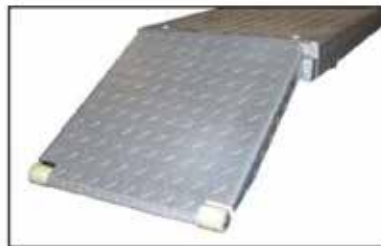


STEP 7:

Install the platforms. Silicone spray may help if they are hard to slide. A chain and fence-stretcher will also help.

**STEP 8:**

Put the ramps on the platform.

**STEP 9:**

Put on the wheel stop. Bolt the ramp fixing board on the base plate. Put on ground ramps and middle board.



LIFT IS READY FOR USE