



# **TEXAS EQUIPMENT**

**6,600lbs Single Post Lift**

## **PARTS CATALOG**

### **United States**

17779 Main Street Suite C  
Irvine, CA 92614 USA  
Tel: +1(949) 333-3800  
Fax: +1(949) 333-3804

**Model  
17706**

### **United Arab Emirates**

P.O. Box 121971 Saif Zone A2-032  
Sharjah, UAE  
Tel: +971 (06) 552 98 60  
Fax: +971 (06) 552 98 61

### **Egypt**

9A Al-Mothalath  
End of Mostafa El-Nahas Street  
Nasr City, Cairo 11528 Egypt  
Tel: +2019 550 0001  
Fax: +2022 472 4346



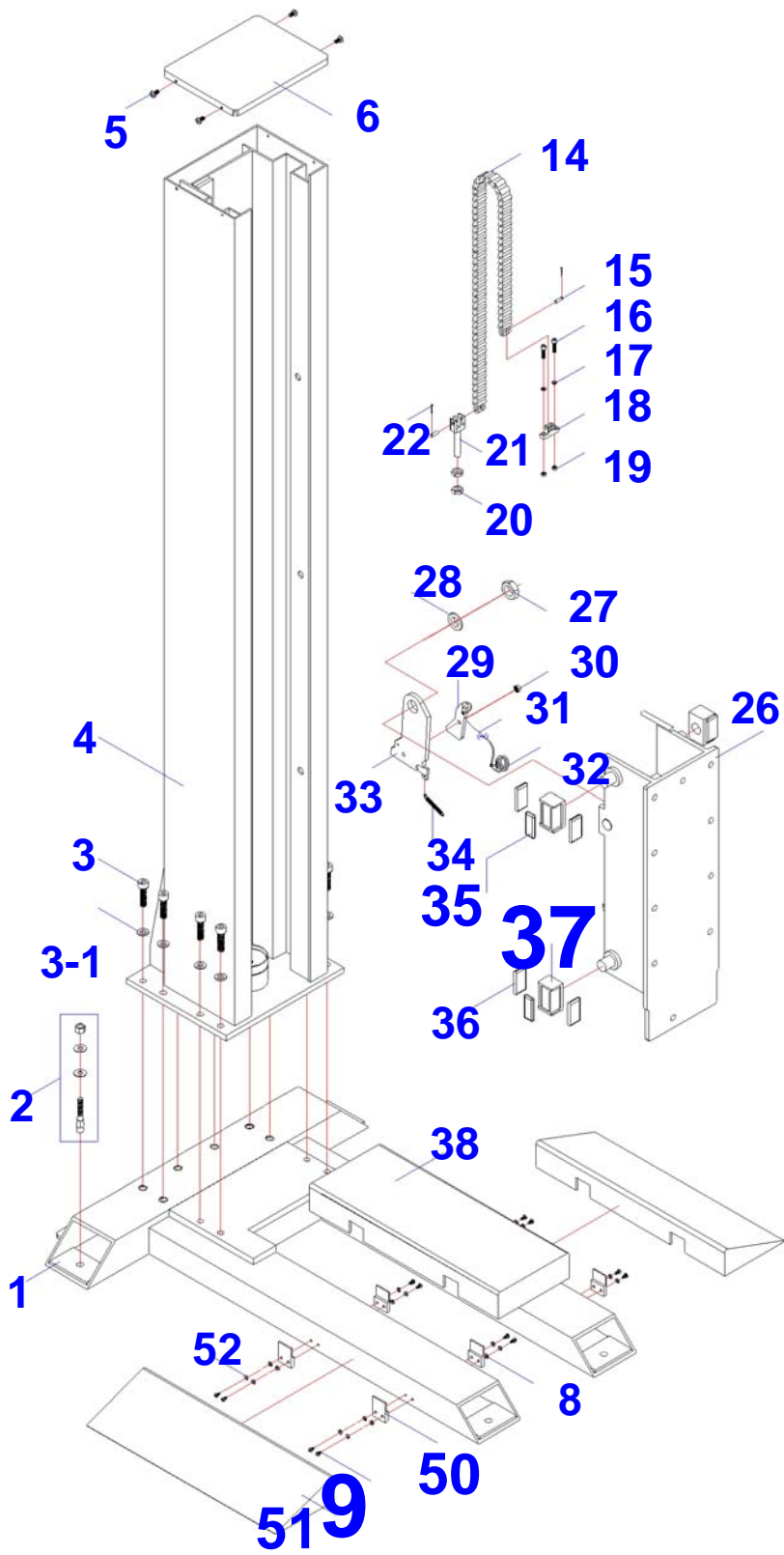
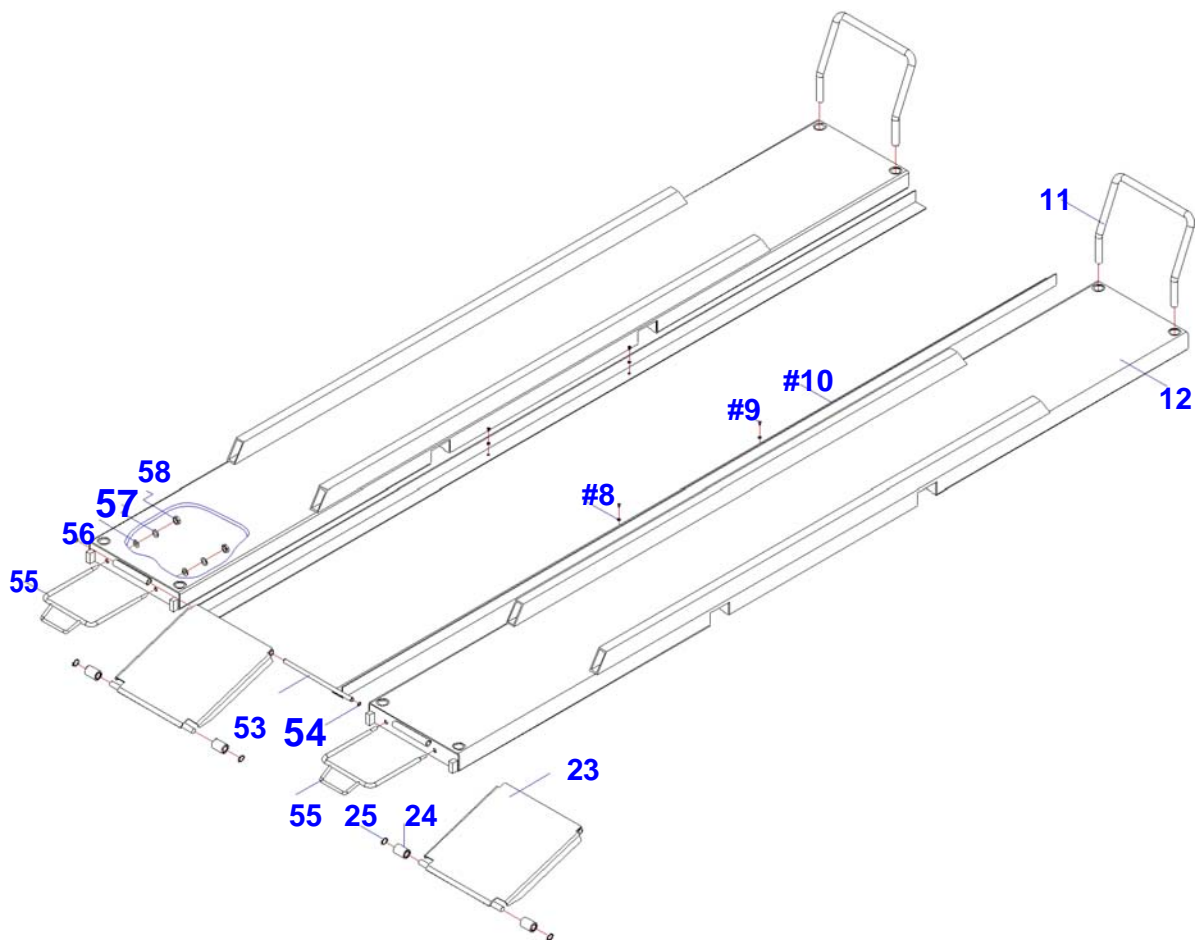


Fig . 33



**Fig. 34**

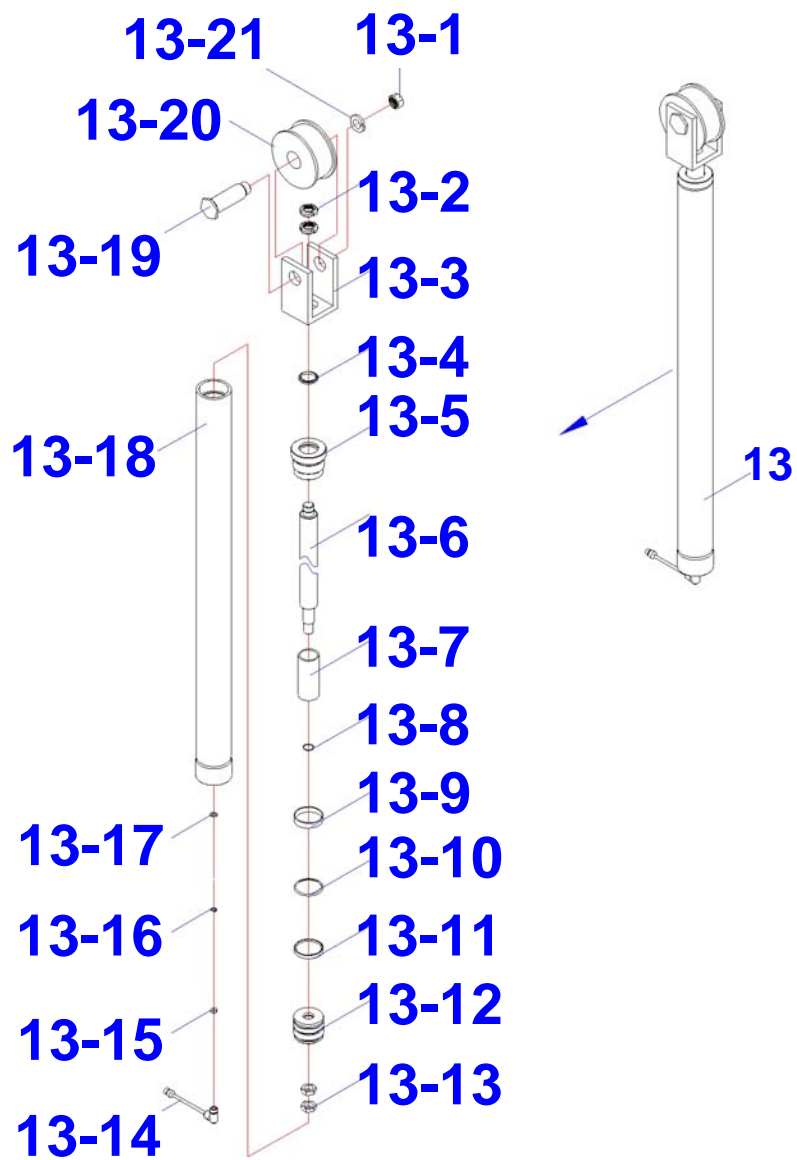


Fig. 35

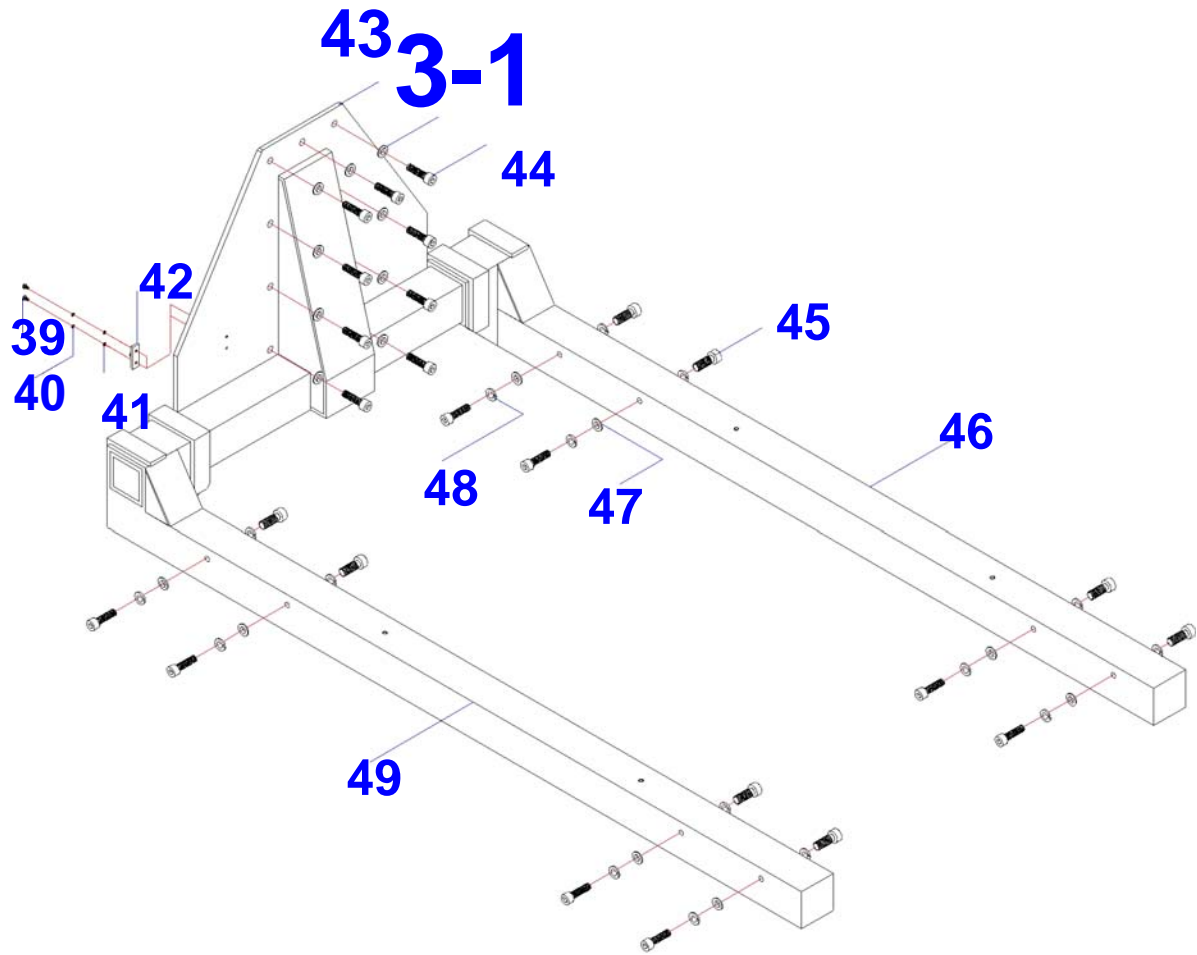


Fig. 36

ITEM	CODE	DESCRIPTION	QTY
1	167255*01-001	Base plate	1
2	167255*01-002	anchor	10
3	167255*01-003	Bolt	10
3-1	167255*01-003-1	Flat washer	19
4	167255*01-004	column	1
5	167255*01-005	Screw	4
6	167255*01-006	upper cover board	1
8	165955*01-008	Flat washer	12
#8	165955*02-0#8	Flat washer	16
9	165955*01-009	Screw	12
#9	165955*02-0#9	Screw	4
#10	165955*02-010	Side extension	2
11	165955*02-011	stop rod	2
12	165955*02-012	Platform	2
13	165955*03-013	Hydraulic cylinder	1
13-1	165955*03-013-1	Thin nut	1
13-2	165955*03-013-2	Round Nut	2
13-3	165955*03-013-3	Wheel support	1
13-4	165955*03-013-4	Dust-ring	1
13-5	165955*03-013-5	Guiding ring	1
13-6	165955*03-013-6	ram	1
13-7	165955*03-013-7	Bush	1
13-8	165955*03-013-8	O-ring	1
13-9	165955*03-013-9	Guide-ring	1
13-10	165955*03-013-10	O-ring	1
13-11	165955*03-013-11	U-ring	1
13-12	165955*03-013-12	Piston	1
13-13	165955*03-013-13	Nut	2
13-14	165955*03-013-14	Connection tube	1
13-15	165955*03-013-15	flow-limit washer	1
13-16	165955*03-013-16	Cricilp for hole	1
13-17	165955*03-013-17	copper Washer	1
13-18	165955*03-013-18	cylinder tube	1
13-19	165955*03-013-19	Shaft	1
13-20	165955*03-013-20	chain Wheel	1
13-21	165955*03-013-21	Spring washer	1
14	167255*01-014	Chain	1
15	167255*01-015	chain pin	2
16	167255*01-016	Bolt	2
17	167255*01-017	Spring washer	2
18	167255*01-018	down block	1
19	167255*01-019	Nut	2
20	167255*01-020	Nut	2
21	167255*01-021	upper block	1
22	167255*01-022	spring pin	4

<b>ITEM</b>	<b>CODE</b>	<b>DESCRIPTION</b>	<b>QTY</b>
23	165955*02-023	ramp	2
24	165955*02-024	nylon Wheel	4
25	165955*02-025	Cricilp for shaft	4
26	167255*01-026	carriage	1
27	167255*01-027	lock Nut	1
28	167255*01-028	Flat washer	1
29	167255*01-029	Unlock board	1
30	167255*01-030	lock Nut	1
31	167255*01-031	Latch-release cable	1
32	167255*01-032	ring	1
33	167255*01-033	Safety lock board	1
34	167255*01-034	Spring	1
35	167255*01-035	upper Rubber block	4
36	167255*01-036	side Rubber block	8
37	167255*01-037	block support	4
38	167255*01-038	middle board	1
39	165955*04-039	Screw	2
40	165955*04-040	Spring washer	2
41	165955*04-041	Flat washer	2
42	165955*04-042	release-cable Hook	1
43	165955*04-043	carriage board	1
44	165955*04-044	Bolt	9
45	165955*04-045	Screw	16
46	165955*04-046	Right arm	1
47	165955*04-047	Flat washer	16
48	165955*04-048	Spring washer	16
49	165955*04-049	Left arm	1
50	167255*01-050	ramp fixing board	6
51	167255*01-051	ground ramp	2
52	167255*01-052	Spring washer	12
53	165955*02-053	Spindle	2
54	165955*02-054	Cricilp for shaft	4
55	167255*02-055	ram support	2
56	167255*02-056	Flat washer	4
57	167255*02-057	Spring washer	4
58	167255*02-058	Nut	4