



TEXAS EQUIPMENT

Tire Changer

United States

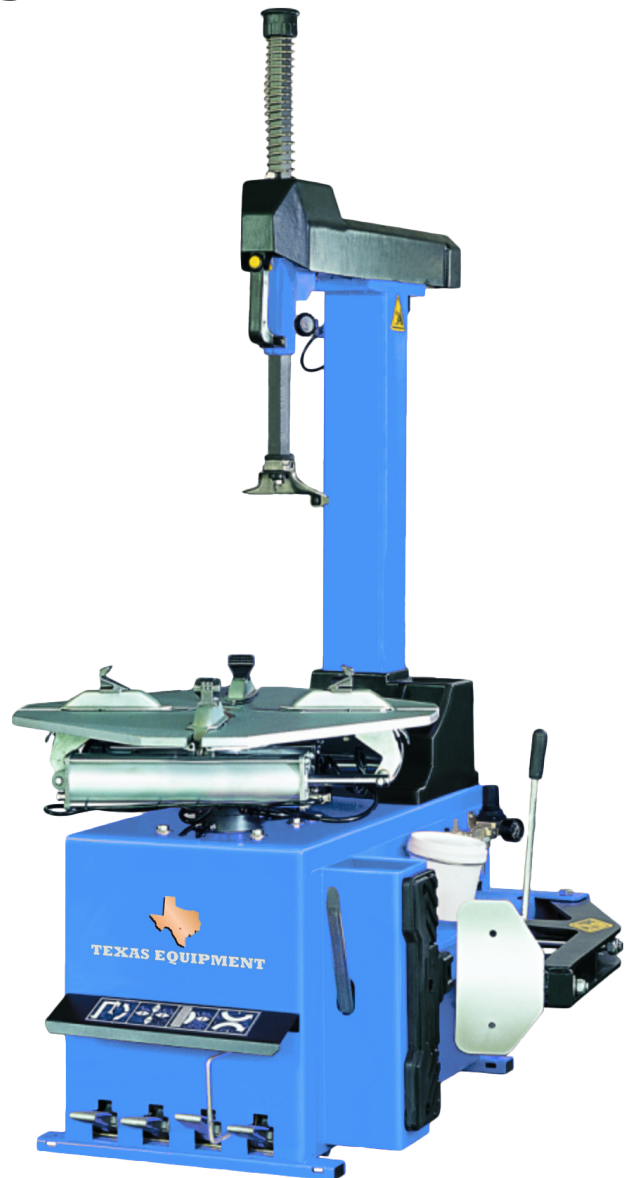
17779 Main Street Suite C
Irvine, CA 92614 USA
Tel: +1 (949) 333-3800
Fax: +1 (949) 333-3804

United Arab Emirates

P.O. Box 121971
Saif Zone A2-32
Sharjah, UAE
Tel: +971 (06) 552 98 60
Fax: +971 (06) 552 98 61

Egypt

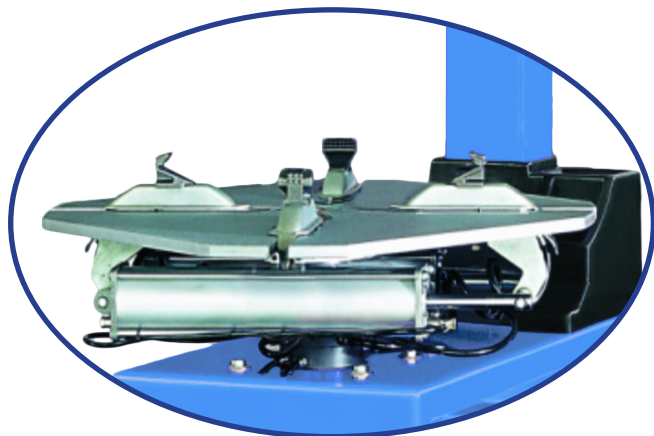
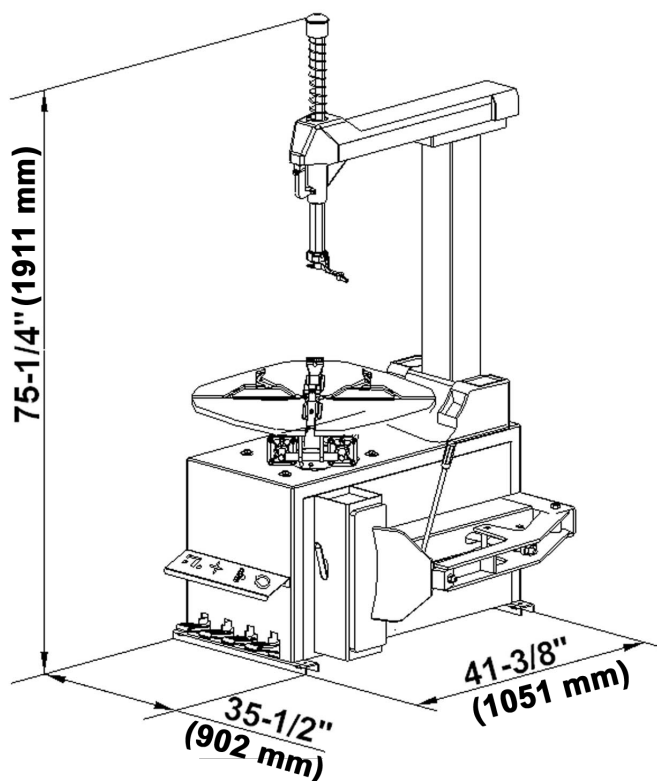
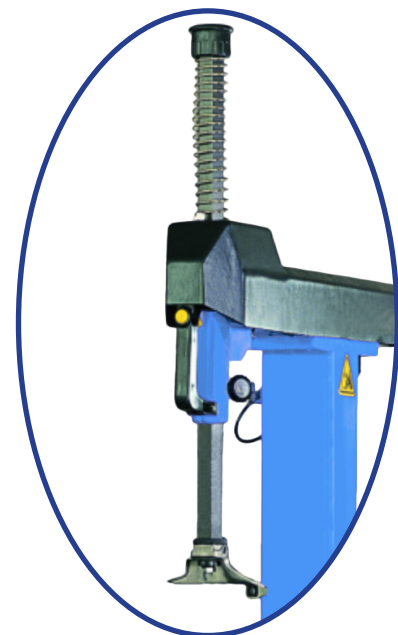
9A, Al-Mothalath
End of Mostafa El-Nahas Street
Nasr City, Cairo 11528 Egypt
Tel: +2019 550 0001
Fax: +2022 472 4346



**Model
TC41**

Specifications:

- Maximum Wheel Diameter 41" (1041 mm)
- Rim Width 3 - 16" (76 - 406 mm)
- External Clamping 10 - 20" (254 - 508 mm)
- Internal Clamping 12 - 23" (305 - 584 mm)
- **Rotation Speed** **7 RPM**
- **Accuracy** **± 1 g**
- Overall Dimensions 41³/₈ (L) x 35¹/₂ (W) x 75¹/₄" (H)
(1051 x 902 x 1911 mm)
- Net Weight 507 lbs (230 kg)
- Shipping Weight 595 lbs (270 kg)
- Shipping Size 43¹/₄ x 37³/₈ x 38⁵/₈"
(1048 x 950 x 981 mm)



Features:

- Accommodates Car & Truck Tires
- No Adapters Necessary for Standard Tires
- Reversible Turnplate
- Tilting Column with Pneumatic Locks
- Steel & Aluminium Construction for Strength & Durability
- Over 5,500 lbs (2500 kg) of Bead Breaking Force